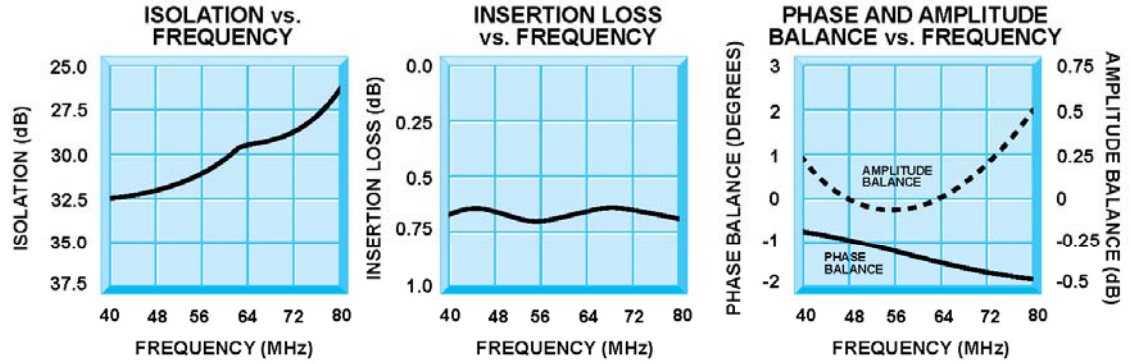




# J4-20006 / 20007 / 20008

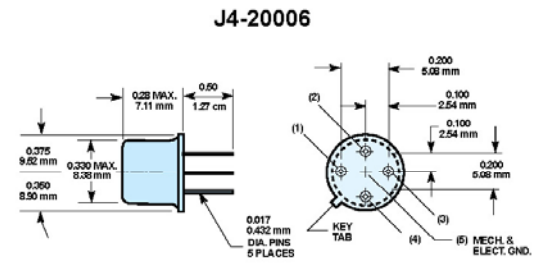
## 40 to 80 MHz Quadrature Hybrids



### Guaranteed Specifications (-54° to +85°C)

Frequency Range	40 to 80 MHz
Isolation	25 dB Min.
Insertion Loss	0.5 dB Max.
VSWR	1.2:1 Max.
Phase Balance	±3° Max.
Amplitude Balance	± 0.75 dB Max.
Impedance	50 Ohms
Power Handling	3 Watts Max.

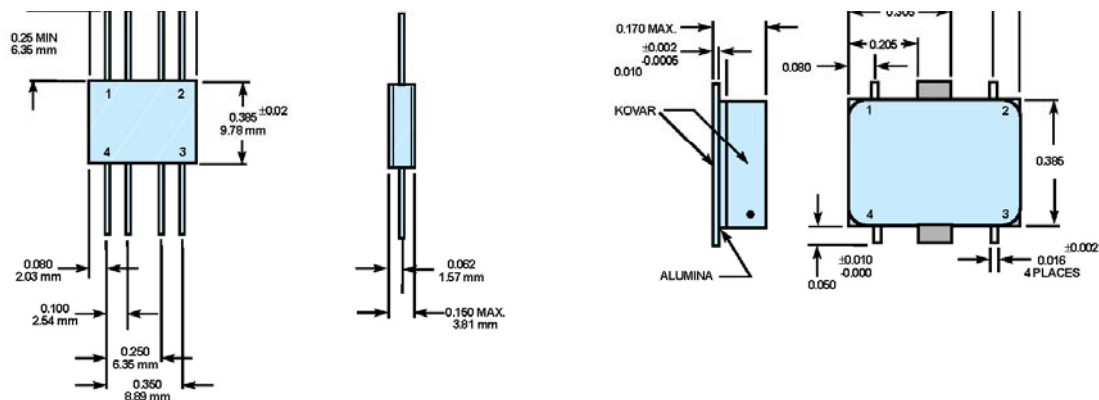
### Mechanical Outline



### Truth Table

OUT IN	1	2	3	4
1	X	ISOL	0°	-90°
2	ISOL	X	-90°	0°
3	0°	-90°	X	ISOL
4	-90°	0°	ISOL	X

Additional Mechanical Outlines on next page



STC Microwave Systems – [www.cranae.com](http://www.cranae.com)  
 28 Tozer Road • Beverly, MA 01915  
 phone: 978-524-7200 • email: [electronics@cranae.com](mailto:electronics@cranae.com)

STC MICROWAVE SYSTEMS - OLEKTRON  
 A CRANE CO. COMPANY

