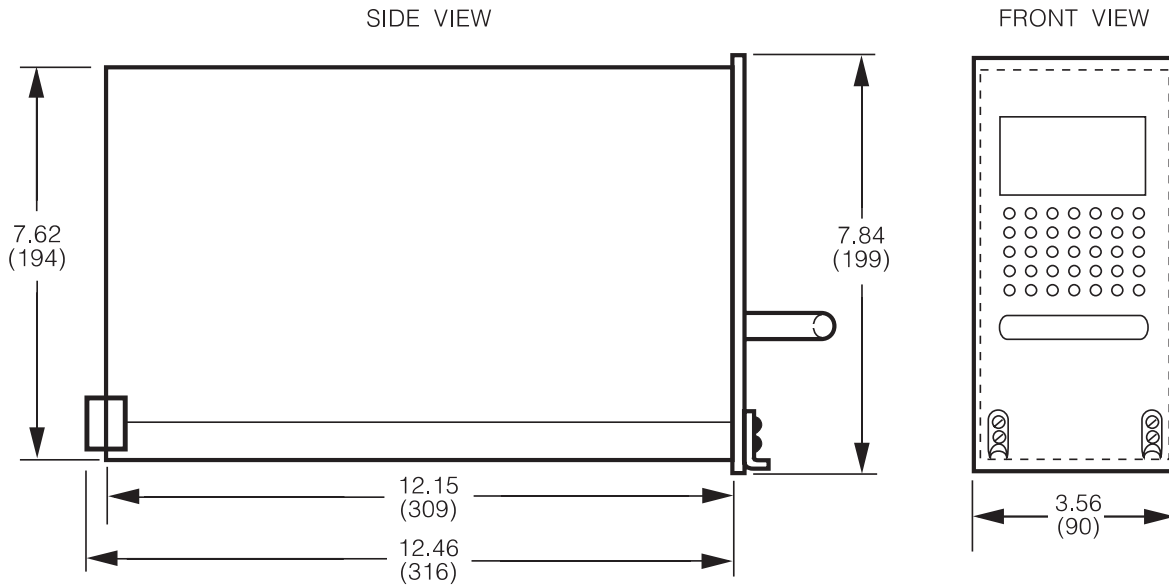


MODEL 2-299
TRANSFORMER-RECTIFIER UNIT
28 Vdc, 50 A Output



DIMENSIONS IN INCHES
 (Dimensions in mm)

Electrical Characteristics

Input: 115/200 Vac, 3 Phase, 400 Hz
 Output Voltage: 28 Vdc (Nominal)
 Output Current: 50 A
 Overload Rating: 200% for 1 Minute
 750% for 5 Seconds
 Output Resistance: 25 mΩ
 Output Ripple: 1.2 Vrms Maximum
 Power Factor: > 0.90
 Efficiency: 77% to 82%

Physical Characteristics

Size: As shown
 Weight: 9.5 lbs (4.3 Kg)
 Cooling: Blast Air; 0.66 Lb./Min. at 110°F
 Connectors: Amphenol SR-RA1-N8A-P1

Programs

Boeing 727, 737-200

Environmental Characteristics

Qualified to commercial levels of EMI, vibration, shock, humidity, salt atmosphere, fungus, sand and dust.

Additional Information

For more detailed specifications, options, price quotes or applications information, contact: ELDEC Corporation, P.O. Box 97027, Lynnwood, Washington U.S.A. 98046-9727
 PHONE: (425) 743-1313 · FAX: (425) 743-8234 · TWX: 910-449-2855
 or ELDEC France, 18, Rue du 35 eme Regiment d'Aviation, F- 69500 BRON - FRANCE
 PHONE: (33) 78.26.10.10 · FAX: (33) 72.37.72.30

