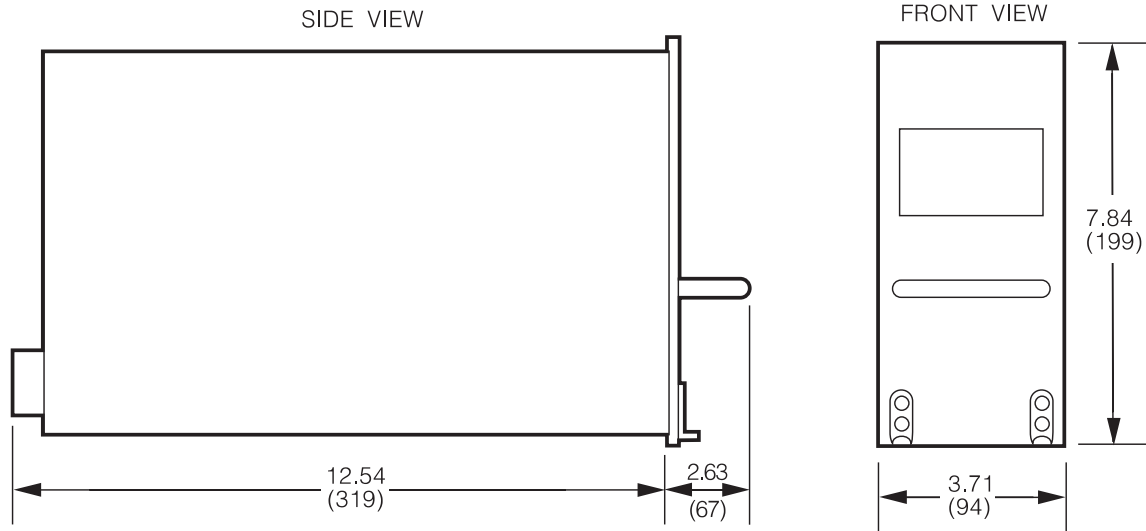


MODEL 2-301
BATTERY CHARGER
115 Vac Input, 28 Vdc, 25 A Output



DIMENSIONS IN INCHES
 (Dimensions in mm)

Battery Configuration

19 or 20 Cell Vented Nickel Cadmium, 25 Ampere Hours.
 Adaptable to other battery sizes and types

Physical Characteristics

Size: As shown
 Weight: 11.4 lbs (5.2 Kg)
 Cooling: Forced Air 0.3 Lb./Min. at 40° C
 Connector: ARINC 404
 SR-RA1-N16E-P1

Environmental Characteristics

Qualified to commercial levels of EMI, vibration shock, salt atmosphere, humidity, fungus, temperature, sand and dust.

Additional Information

For more detailed specifications, options, price quotes or applications information, contact: ELDEC Corporation, P.O. Box 97027, Lynnwood, Washington U.S.A. 98046-9727
 PHONE: (425) 743-1313 · FAX: (425) 743-8234 · TWX: 910-449-2855
 or ELDEC France, 18, Rue du 35 eme Regiment d'Aviation,
 F- 69500 BRON - FRANCE
 PHONE: (33) 478.26.10.10 · FAX: (33) 472.37.72

Copyright © May 1997 ELDEC Corporation
 Printed in U.S.A.

Electrical Characteristics

Charge Mode:	Modified Constant Potential
Charge Method:	Limited Timed top charge after base charge to assure 100% capacity and cell balance
Constant Voltage Mode:	Nominal 28 Vdc
Input:	115 Vac, 3 Phase, 400 Hz
Output:	25 A Maximum Continuous 50 A for 5 Minutes
Efficiency:	>78%

Programs

Boeing 727, 737-200



ELDEC CORPORATION
 A CRANE CO. COMPANY