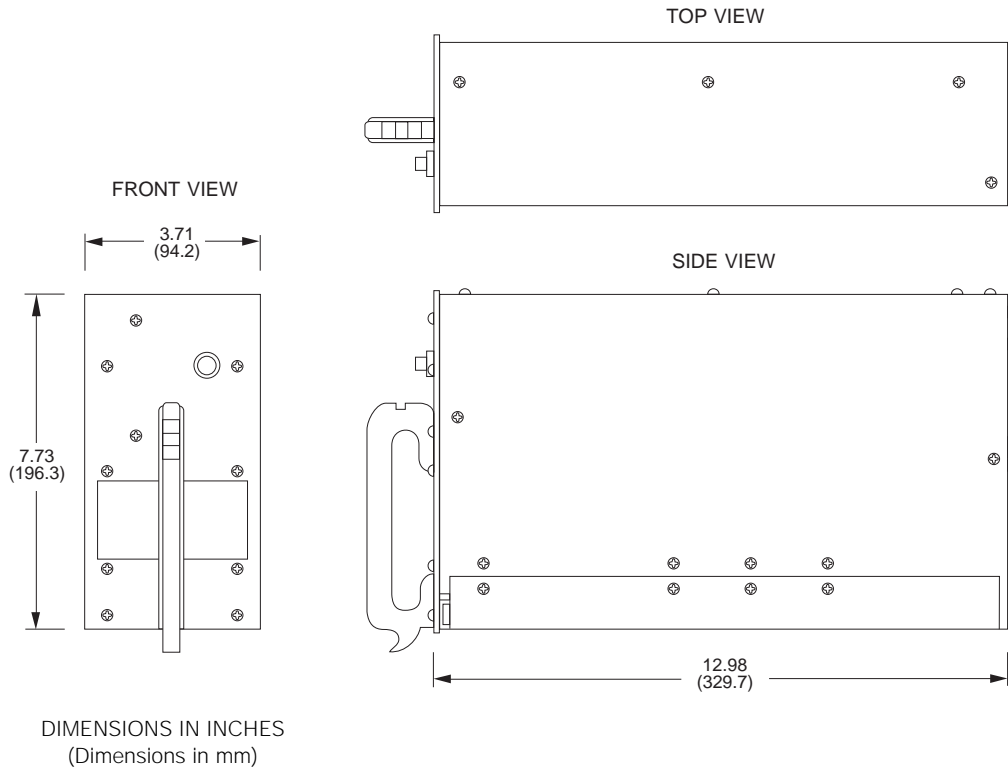


**MODEL 2-418**  
**TRANSFORMER-RECTIFIER UNIT**  
**28 Vdc, 75 A Output**



**Electrical Characteristics**

Input: 115/200 Vac, 3 Phase, 400 Hz  
 Output Voltage: 28 Vdc (Nominal)  
 Output Current: 75 A (with Cooling Air per Note 1)  
 37.5 A (Free Convection)  
 Overload Rating: 133% for 5 Minutes  
 233% for 1 Minute  
 500% for 1 Second  
 Output Resistance: 29 mΩ  
 Output Ripple: 1.5 V Mean-to-Peak  
 Power Factor: 0.95 at 100% load  
 Efficiency: 85% at 100% load

**Environmental Characteristics**

Qualified to commercial levels of EMI, vibration, shock, acceleration, humidity, salt atmosphere, fungus, temperature, sand and dust.

**Additional Information**

For more detailed specifications, options, price quotes or applications information, contact: ELDEC Corporation, P.O. Box 97027, Lynnwood, Washington U.S.A. 98046-9727  
 PHONE: (425) 743-1313 · FAX: (425) 743-8234 · TWX: 910-449-2855  
 or ELDEC France, 18, Rue du 35 eme Regiment d'Aviation, F- 69500 BRON - FRANCE  
 PHONE: (33) 78.26.10.10 · FAX: (33) 72.37.72.30

**Physical Characteristics**

Size: As shown  
 Weight: 12.5 lbs (5.7 Kg)  
 Cooling: See Note 1  
 Connectors: Input: Cannon DPA-32-34P  
 Output: Cannon DPAF-2-34P

**Programs**

Boeing 747

**Notes:**

Note 1: 75 A with cooling air - 0.9 lb/min. at 130° F, drawn through bottom of case.

