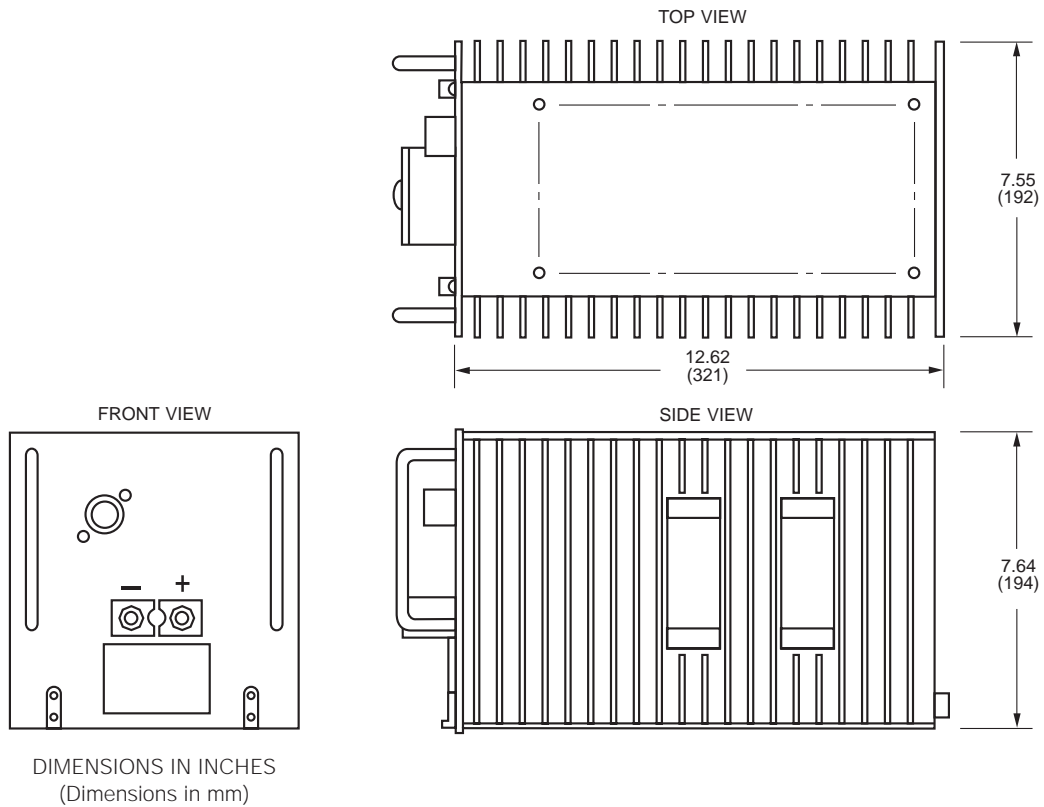


**MODEL 4-363**  
**BATTERY CHARGER / CONTROLLER**  
**115 Vac Input, 40 A Output**



**Battery Configuration**

20 Cell Vented Nickel Cadmium, 40 Ampere Hours  
 Battery Part Number: SAFT 4076-11  
 Adaptable to other battery sizes and types

**Environmental Characteristics**

Qualified to commercial levels of EMI, vibration, shock, acceleration, humidity, salt atmosphere, fungus, temperature, sand and dust.

**Physical Characteristics**

Size: As shown, modified ARINC 600-6MCU  
 Weight: 21.0 lbs (9.5 Kg)  
 Cooling: Free Convection  
 Connectors: Input: BACC45FN14-12P  
 Output: 3/8" Stud (positive)  
 5/16" Stud (negative)

**Electrical Characteristics**

Charge Mode:	Constant Current
Mode Control:	Charge Mode/TRU Mode
Charge Method:	Proportional Timed Overcharge
Constant Voltage Mode:	27.75 Vdc
Fault Indication:	Battery Overtemperature, Battery Disconnect
Input:	115 Vac, 3 Phase, 400 Hz
Power Factor:	> 0.90
Efficiency:	> 82%

**Additional Information**

For more detailed specifications, options, price quotes or applications information, contact: ELDEC Corporation, P.O. Box 97027, Lynnwood, Washington U.S.A. 98046-9727  
 PHONE: (425) 743-1313 · FAX: (425) 743-8234 · TWX: 910-449-2855  
 or ELDEC France, 18, Rue du 35eme Regiment d'Aviation, F- 69500 BRON - FRANCE  
 PHONE: (33) 478.26.10.10 · FAX: (33) 472.37.72

**Programs**

Gulfstream G-III, G-IV



**ELDEC CORPORATION**  
 A CRANE CO. COMPANY