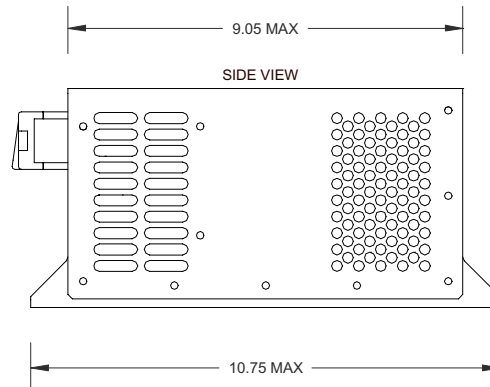
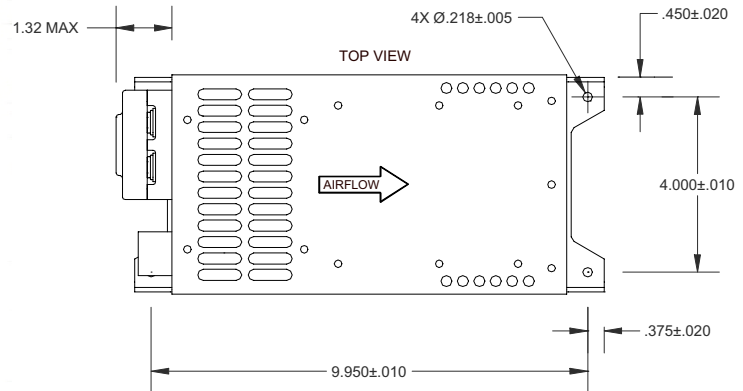
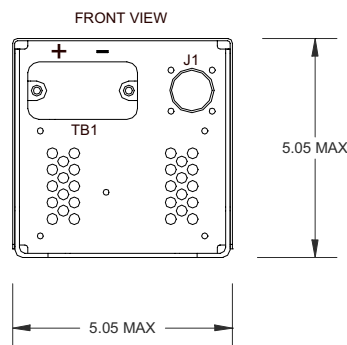


MODEL 81-014

TRANSFORMER-RECTIFIER UNIT

28 Vdc, 125 A Output



Electrical Characteristics

Input:	115/200 Vac, 3 Phase, 360-440Hz
Output Voltage:	28 Vdc (Nominal)
Output Current:	125A
Overload Rating:	187A for 5 Minutes 312A for 1 Minute 625A for 1 Second
Output Resistance:	17 mΩ
Output Ripple:	1.5 V Peak-to-Peak maximum
Power Factor:	>95% (50-100% load)
Efficiency:	>87% (50-100% load)

Additional Information

For more detailed specifications, options, price quotes or applications information, contact: ELDEC Corporation, P.O. Box 97027, Lynnwood, Washington U.S.A. 98046-9727
 PHONE: (425) 743-1313 • FAX: (425) 743-8234 • TWX: 910-449-2855
 or ELDEC France, 18, Rue du 35 eme Regiment d'Aviation, 69500 BRON - FRANCE
 PHONE: (33) 478.26.10.10 • FAX: (33) 472.37.72.30
www.eldec.com

Environmental Characteristics

Developed to commercial levels of EMI, vibration, shock, acceleration, humidity, salt atmosphere, fungus, temperature, sand and dust.

Physical Characteristics

Weight:	10.4 lbs max.
Size:	As shown
Cooling:	Internal Fan
Connectors:	Input: D38999/20WD5PN Output: MS25044-1

