

Blue Sky Battery Charger

Charge it!

Form, fit, function replacement of existing battery chargers for: CRJ200, CL600-2B19, CRJ700, CL600-2C10



- Brings the reliability of ELDEC airliner battery chargers to the regional jet market
- Reduces unverified charger and battery removals
- Five-year warranty
 - Robust design – highly accelerated life and step-stress tested
 - STC/PMA held by Crane Aerospace & Electronics
 - Superior thermal design minimizes the need for the on-demand fan
 - Simple red/yellow/green LED indications for battery and charger status
 - Can be mounted on any attitude

For over 45 years, Crane Aerospace and Electronics has led the way in the development of aircraft battery chargers – more than 10,000 have proven reliable in service. Our new ELDEC Blue Sky Battery Charger carries on the tradition of providing affordable, light-weight and reliable battery chargers, backed up with a five-year warranty.

Crane Aerospace & Electronics was the first company to provide reliable battery systems for commercial aircraft and remains both the technical and value leader today. We offer your choice of AC-DC chargers and DC-DC battery controllers

Your Needs

Crane Aerospace offers a complete line of power conversion products. Please give us a call or write – our engineers have a great deal of experience in many types of battery charging methods and will help select the right one for you. Also, be sure to check out our web site at www.craneeae.com.



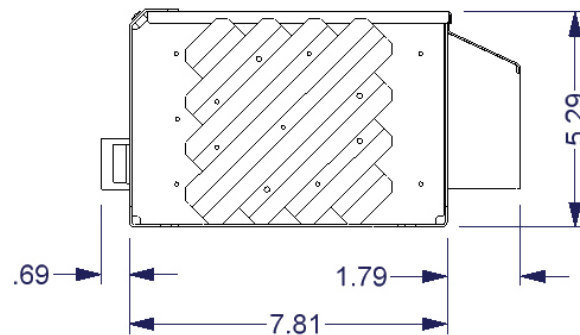
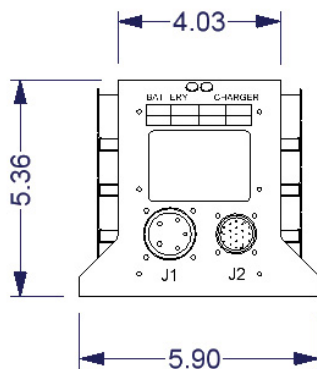
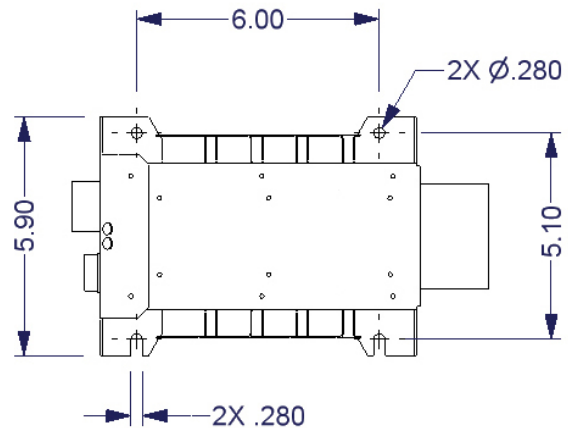
MODEL 81-025

Battery Charger

115 Vac Input, 40A Output



Dimensions



Introduction

The 81-025 gives you the performance and reliability proven in ELDEC's extensive line of battery chargers in a new, small light weight package. The charger is fully programmable and can be configured for use with any 24V NiCd or Valve Regulated Lead Acid batteries in use on today's aircraft.

Physical Characteristics

Size: As shown
 Weight: 4.9 lbs
 Cooling: Fan, on demand
 Connectors: MS27335T14A18P
 MS3452W20-14P

Environmental Characteristics

Qualified to DO-160D levels of EMI, vibration, shock, acceleration, humidity, salt atmosphere, fungus, temperature, sand and dust.

Electrical Characteristics

Charge Mode:	Factory set for battery type
Charge Method:	Factory set for battery type
Fault Indication	
(via front panel LED):	Battery Overtemperature
	Battery Disconnect
	Open/Short Temperature Sensor
	Shorted Cell Detection
	Charger Failure
	LRU Fault Isolation
Input:	115 Vac, 3 Phase, 400 Hz
Power Factor:	> 0.90
Efficiency:	> 85%

Crane Aerospace & Electronics

16700 - 13th Avenue West • Mail: P.O. Box 97027 • Lynnwood, WA 98046-9727
 (425) 743-1313 • Fax: (425) 743-8371 • www.craneae.com • email: info@craneae.com